



## SPECIFICATION

	Industrial Open Frame LCD Monitor With PCAP Touch screen
MODEL	TSCHA
PRODUCT MODEL NAME	TSCHA-238CJEL-PCT-KIS
CUSTOMER	
DATE	2023-03-22

APPROVED BY TOUCH AND DISPLAYS CO.,LTD	
ENGINEER	Kyeong Min Lee
REVIEWER	 <small>Touch &amp; Displays Co., Ltd. Manager Director</small>
CONFIRMED	



# MONITOR

## Key Feature

- High Brightness LCD1300 nits(Auto-Dimming)
- LED Backlight
- Surface water-proof IP65
- MTBF: 50,000 hour
- IPS(Wide Viewing Angle LCD(optional))
- Cooling Fan

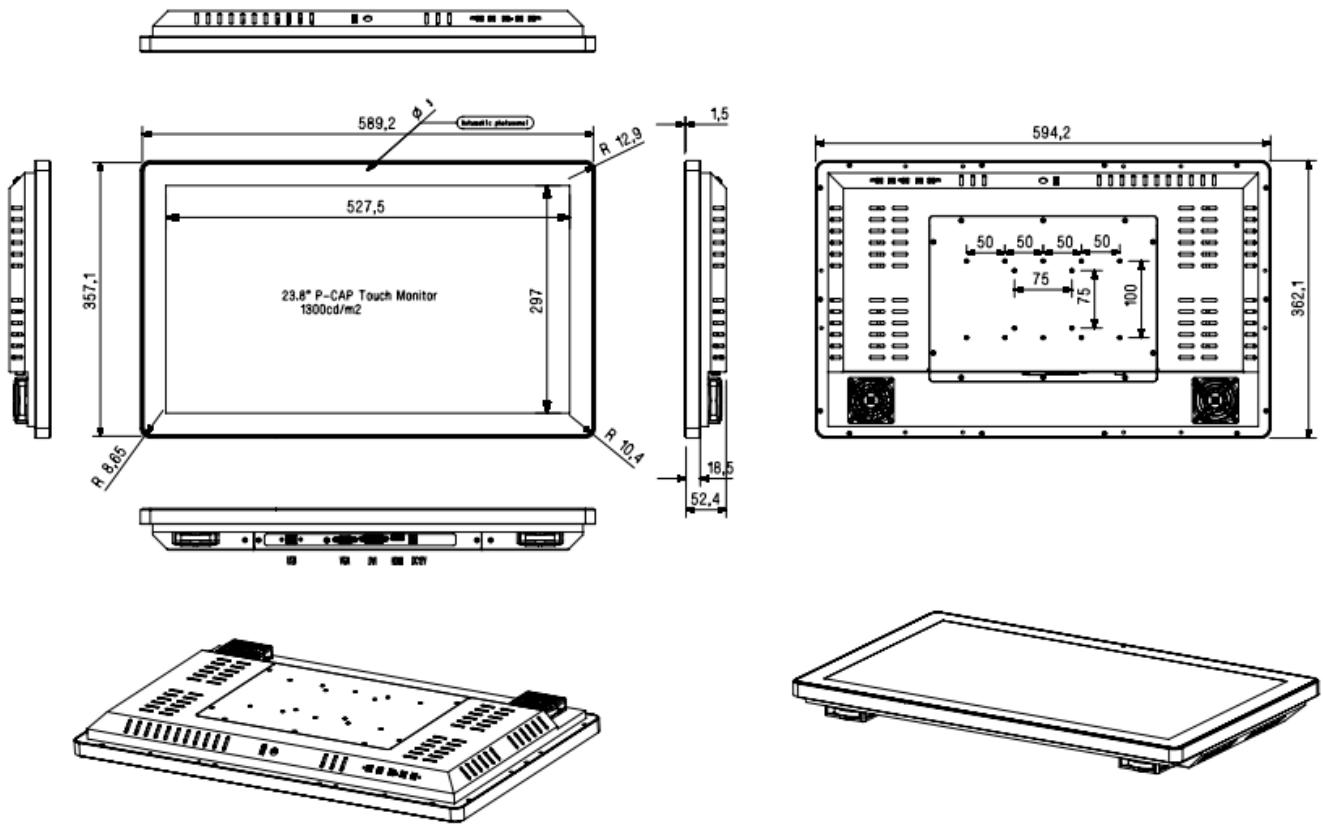
ITEMS	SPECIFICATION	
LCD	Size	23.8" TFT LCD, LED Back light
	Active Area(mm)	527.04mm(H) x296.46mm(V)
	Resolution	1920X1080@60Hz
	Contrast Ratio	1000:1(Typ)
	Display Color	16.7M
	Response Time	14ms(Typ)(G to G)ms
	Brightness(cd/m2)	1300cd/m2
	Viewing Angle(L/R/U/D)	89'/89'/89'/89' (CR≥10)
	Operating Temperature	0'~50'C
	Storage Temperature	-20~60'C
	Panel Interface	LVDS
	OSD key	Allow on-screen adjustments of Brightness, Contrast Ratio, Auto-adjust, Phase, Clock, H/V Location, Languages, Function, Reset
	Frame	Enclosed Chassis Frame
	Signal Connector	VGA,DVI, HDMI
Power Supply	100-240V VAC, 50-60Hz	
Audio	Speaker	2x 3W(Optional)
IO Ports	Video	1xHDMI
		1xVGA

**DQ : TDS200322-J01**

		1X DP (Optional)
		1XDVI-D, DVI-I(optional)
	Audio	Speaker(optional)
Mechanical	Enclosure	Metal (VESA 75*75mm and 200*100mm)
Audio	Speaker	Optional
Touch Screen		PCAP touch screen with 3mm GA & AR Glass
		Touch Point: Multi touch(1~10points),8ms response
		Touch Supply Voltage: 5V@80mA
		Touch Interface: USB
		Touch Support OS: Window/Android/ Linux/Mac
Accessories		HDMI cable, USB cable Power Adapter
Surface Treatment		AG/AR/AF(Optional)
Water/Dust Protection		IP65(front)

DQ : TDS200322-J01

## MECHANICAL DRAWING



### NOTE

1. This is a simplified drawing, and some components are not marked in detail.
2. Please contact our sales representative if you need further product information.
3. All specifications are subject to change without prior notice.
4. The product shown in this datasheet is a standard model. For diagrams that contain customized or optional I/O , please contact our Team(TDS) for more information.